



Class II (V)

Product Features

- Meet medical & I.T.E. safety approvals
- 2 MOPP input to output isolation
- Energy efficiency level V
- Touch current $\leq 10\mu\text{A}$
- $\leq 0.3\text{W}$ standby power
- 5V and 6V output, up to 5W
- Up to 5,000m operating altitude

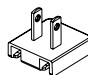
NEW

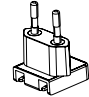
Models & Ratings

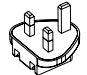
Model Number	Voltage ^(*1) (V)	Current (A)	Rated Power	Ripple & Noise (max)	Voltage Tolerance	Line & Load Regulation	Efficiency (Average)	Start Up Delay
UE05LCP-XXXYYYSPA	5.0 6.0	0.01-1.00 0.01-0.80	5.00W 4.80W	200mVpk-pk 200mVpk-pk	$\pm 8\%$ $\pm 8\%$	Line: $\pm 5\%$ Load: $\pm 5\%$	68.17% 72.02%	$\leq 3\text{s}$ $\leq 3\text{s}$

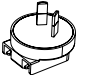
Mechanical Details

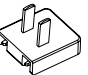
Interchangeable AC Plug Options


US/Japan


Europe


UK


Australia


China

Unit: mm

DC cable and connector can be customized.

Notes

(*1) Other options are available, please contact our sales representative for details.

Input

Input Voltage Range	90-264VAC
Frequency Range	47-63Hz
Input Current	0.2A at 100VAC
Inrush Current	50A max at 240VAC cold start
Touch Leakage Current ^(max)	≤10μA at 264VAC

Environmental

Operating Temperature	0°C to 45°C
Storage Temperature	-20°C to 60°C
Operating Humidity	10% to 90% RH, non-condensing
Storage Humidity	5% to 90% RH
Operating Altitude	5,000m

General

Dimensions	70.0(L) 30.2(W) 52.0(H)mm
Weight	75g
MTBF	>100,000hrs MIL-HDBK-217 at 25°C

Protection

Overload	110-300% rated output power, auto recovery
Over Voltage	200% Max output voltage input to reset
Short Circuit	Trip and restart (hiccup mode)

Safety Approvals

Safety Agency / Mark	Medical	ITE
CB	IEC60601-1	-
TüV SUD/Mark	EN60601-1	-
NRTL	ANSI/AAMI ES60601-1	-
	CAN/CSA-C22.2 NO. 60601-1	
CCC	-	GB4943.1

EMC

Emission	Medical	ITE
Conduction	IEC/EN60601-1-2, CISPR 11	-
Radiation	IEC/EN60601-1-2, CISPR 11	-
Harmonic Currents	EN61000-3-2, Class A	-
Voltage Flicker	EN61000-3-3	-
Immunity	IEC/EN60601-1-2	-
ESD	IEC61000-4-2	±15KV air, ±8KV contact
Radiated Immunity	IEC61000-4-3	10V/m, 3V/m 80MHz - 2.7GMHz
EFT/Burst	IEC61000-4-4	±2KV on AC port, ±1KV on signal ports
Surge	IEC61000-4-5	±1KV line to line (DM)
Conducted Immunity	IEC61000-4-6	3Vrms, 6Vrms (0.15MHz-80MHz)
Magnetic Field	IEC61000-4-8	30 A/m
Dips & Interruptions	IEC61000-4-11	0%, 70%, 0% of UT

Others

Dielectric Withstand Voltage	4000VDC input to output
Insulation Resistance	10M Ohms, 500VDC input to output