


CB CE  FC 

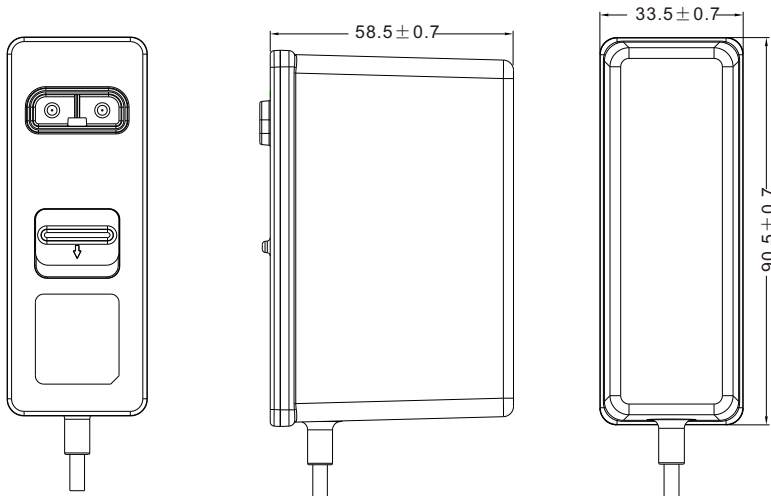
 IP 42 Class II 
Product Features

- Medical & ITE safety approvals
- 2 MOPP input to output isolation
- Leakage current $\leq 100\mu\text{A}$
- $\leq 0.15\text{W}$ standby power
- 12V to 24V outputs, up to 60W
- Up to 5,000m operating altitude
- Interchangeable AC plugs

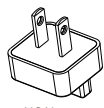
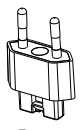
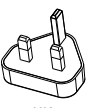
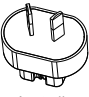
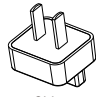

Models & Ratings

Model Number	Voltage (*1) (V)	Current (A)	Rated Power (max)	Ripple & Noise (max)(*2)	Voltage Tolerance	Line & Load Regulation	Efficiency (Average) (*3)	Start Up Delay (@115V&230V)
UES60LCP2-XXXYYYSPA	12.0	0.01-5.00	60.00W	200mVpk-pk	$\pm 5\%$	Line: $\pm 1\%$ Load: $\pm 5\%$	89.00%	$\leq 3\text{s}$
	12.1-13.0	0.01-4.60	60.00W	200mVpk-pk	$\pm 5\%$		89.00%	$\leq 3\text{s}$
	13.1-14.0	0.01-4.28	60.00W	200mVpk-pk	$\pm 5\%$		89.00%	$\leq 3\text{s}$
	14.1-15.0	0.01-4.00	60.00W	200mVpk-pk	$\pm 5\%$		89.00%	$\leq 3\text{s}$
	19.0	0.01-3.15	60.00W	200mVpk-pk	$\pm 5\%$		89.00%	$\leq 3\text{s}$
	19.1-20.0	0.01-3.00	60.00W	200mVpk-pk	$\pm 5\%$		89.00%	$\leq 3\text{s}$
	20.1-21.0	0.01-2.85	60.00W	200mVpk-pk	$\pm 5\%$		89.00%	$\leq 3\text{s}$
	21.1-22.0	0.01-2.72	60.00W	200mVpk-pk	$\pm 5\%$		89.00%	$\leq 3\text{s}$
	22.1-23.0	0.01-2.60	60.00W	200mVpk-pk	$\pm 5\%$		89.00%	$\leq 3\text{s}$
	23.1-24.0	0.01-2.50	60.00W	200mVpk-pk	$\pm 5\%$		89.00%	$\leq 3\text{s}$

Mechanical Details



Interchangeable AC Plug Options

US/Japan
Europe
UK
Australia
China

Unit: mm

Input

Input Voltage Range	80-264VAC
Frequency Range	47-63Hz
Input Current	1.7A at 80VAC
Touch Leakage Current _(max)	≤100μA at 264VAC

Environmental

Operating Temperature	0°C to 40°C
Storage Temperature	-5°C to 60°C
Operating Humidity	10% to 90% RH, non-condensing
Storage Humidity	5% to 90% RH
Operating Altitude	5,000m

General

Dimensions	90.5(L) 33.5(W) 58.5(H)mm
Weight	220g
MTBF	>100,000hrs MIL-HDBK-217 at 25°C

Protection

Overload	120-200% rated output power, auto recovery
Over Voltage	120-150% rated output voltage input to reset
Short Circuit	Trip and restart (hiccup mode)

Safety Approvals

Safety Agency / Mark	Medical	ITE(Meet)
CB	IEC60601-1/60601-1-11	IEC62368-1
UL	ANSI/AAMI ES60601-1/60601-1-11 CAN/CSA-C22.2 NO. 60601-1	UL62368
TUV SUD/Mark	EN60601-1/EN60601-1-11	-
TUV SUD/GS	-	EN62368-1
CE	-	EN62368
CCC	-	GB4943.1
FCC	-	FCC PART 15

EMC

Emissions	Medical	ITE
Conducted	IEC/EN 60601-1-2, CISPR 11	EN55032, CISPR32
Radiated	IEC/EN 60601-1-2, CISPR 11	EN55032, CISPR32
Harmonic Currents	EN61000-3-2, Class A	EN61000-3-2, Class A
Voltage Flicker	EN61000-3-3	EN61000-3-3
Immunity	IEC/EN 60601-1-2	EN55024, CISPR 24
ESD	EN61000-4-2	±15kV air, ±8kV contact
Radiated Immunity	EN61000-4-3	10V/m, 3V/m 80MHz - 2700MHz
EFT/Burst	EN61000-4-4	±2kV on AC port, ±1kV on signal ports
Surge (*)	EN61000-4-5	±1KV line to line (DM)
Conducted Immunity	EN61000-4-6	3Vrms, 6Vrms (0.15MHz-80MHz)
Magnetic Field	EN61000-4-8	30 A/m
Dips & Interruptions	EN61000-4-11	0%, 70%, 0% of UT

Others

Dielectric Withstand Voltage	4000VAC input to output
Insulation Resistance	10M Ohms, 500VDC input to output