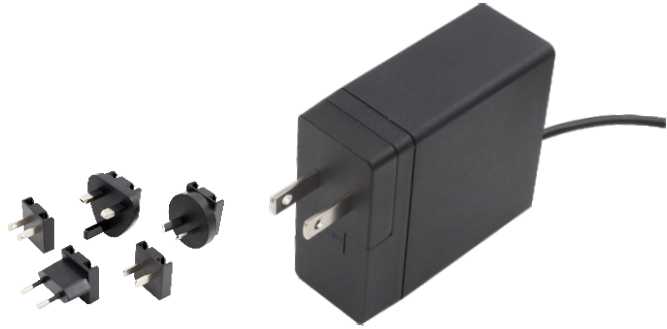


Class II (VI)

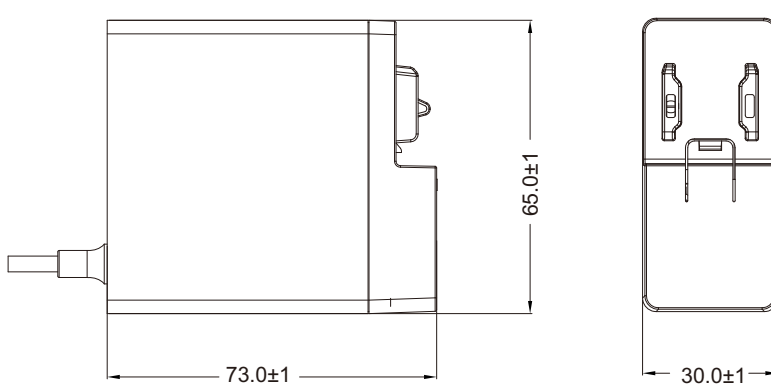
Product Features

- Medical safety approvals
- 2 MOPP input to output isolation
- Leakage current $\leq 100\mu\text{A}$
- Up to 5,000m operating altitude
- Energy efficiency level VI
- $\leq 0.1\text{W}$ standby power

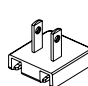

Models & Ratings

Model Number	Voltage ^(*) (V)	Current (A)	Rated Power	Ripple & Noise (max)	Voltage Tolerance	Line & Load Regulation	Efficiency (Average)	Start Up Delay
UES48LCP-XXXXYYSPA	12.0-13.0	0.01-4.00	48.00W	200mV	$\pm 5\%$	Line: $\pm 2\%$ Load: $\pm 5\%$	87.77%	$\leq 3\text{s}$
	13.1-14.0	0.01-3.43	48.00W	200mV	$\pm 5\%$		87.77%	$\leq 3\text{s}$
	14.1-15.0	0.01-3.20	48.00W	200mV	$\pm 5\%$		87.77%	$\leq 3\text{s}$
	18.0-19.0	0.01-2.53	48.00W	200mV	$\pm 5\%$		87.77%	$\leq 3\text{s}$
	19.1-20.0	0.01-2.40	48.00W	200mV	$\pm 5\%$		87.77%	$\leq 3\text{s}$
	20.1-21.0	0.01-2.28	48.00W	200mV	$\pm 5\%$		87.77%	$\leq 3\text{s}$
	21.1-22.0	0.01-2.18	48.00W	240mV	$\pm 5\%$		87.77%	$\leq 3\text{s}$
	22.1-23.0	0.01-2.08	48.00W	240mV	$\pm 5\%$		87.77%	$\leq 3\text{s}$
	23.1-24.0	0.01-2.00	48.00W	240mV	$\pm 5\%$		87.77%	$\leq 3\text{s}$

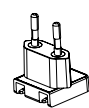
Mechanical Details



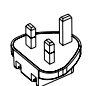
Interchangeable AC Plug Options^(*)



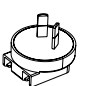
US/Japan



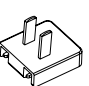
Europe



UK



Australia



China

Unit: mm

Notes

(*) Other options are available, please contact our sales representative for details.

(*) Measured at output connector with 20MHz bandwidth and 0.1uF ceramic in parallel with 10uF electrolytic capacitors.

Input

Input Voltage Range	90-264VAC
Frequency Range	47-63Hz
Input Current	1.3A at 90VAC
Inrush Current	100A max at 240VAC cold start
Touch Leakage Current ^(max)	≤ 100µA at 264VAC

Environmental

Operating Temperature	0°C to 40°C
Storage Temperature	-40°C to 80°C
Operating Humidity	10% to 90% RH, non-condensing
Storage Humidity	5% to 95% RH
Operating Altitude	5,000m

General

Dimensions	73.0(L) 65.0(W) 30.0(H)mm
Weight	205g
MTBF	>100,000hrs MIL-HKPK-217 at 25°C
Isolation	5,656VDC Input to Output

Protection

Overload	110-160% rated output power, auto recovery
Over Voltage	Min 120% rated output voltage input to reset
Short Circuit	Trip and restart (hiccup mode)

Safety Approvals

Safety Agency / Mark	Medical(meet)
CB	IEC60601-1
TUV SuD/mark	EN60601-1

EMC

Emissions	Medical
Conducted	IEC/EN 60601-1-2, CISPR 11
Radiated	IEC/EN 60601-1-2, CISPR 11
Harmonic Currents	EN61000-3-2, Class A
Voltage Flicker	EN61000-3-3
Immunity	IEC/EN 60601-1-2
ESD	EN61000-4-2 ±15kV air, ±8kV contact
Radiated Immunity	EN61000-4-3 10V/m, 3V/m 80MHz - 2.7GHz
EFT/Burst	EN61000-4-4 ±2kV on AC port, ±1kV on signal ports
Surge	EN61000-4-5 ±2KV line to line, ±4KV line to GND
Conducted Immunity	EN61000-4-6 3Vrms, 6Vrms (0.15MHz-80MHz)
Magnetic Field	EN61000-4-8 30 A/m
Dips & Interruptions	EN61000-4-11 0%, 70%, 0% of UT

Others

Dielectric Withstand Voltage	4000VAC input to output
Insulation Resistance	10M Ohms, 500VDC input to output