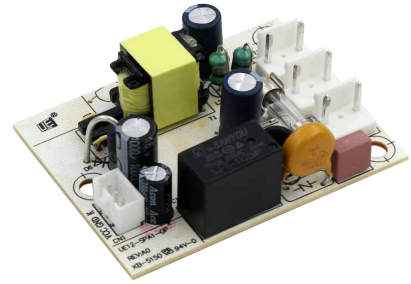


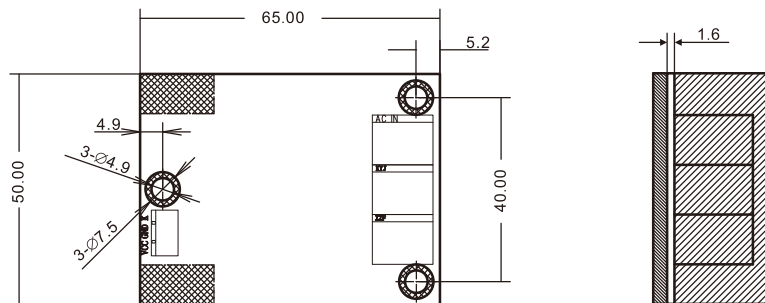
(V)

**Product Features**

- Meet medical & I.T.E. safety approvals
- 2 MOPP input to output isolation
- Touch current :  $\leq 100\mu\text{A}$
- Energy efficiency level VI
- $\leq 0.10\text{W}$  standby power
- Up to 5,000m operating altitude
- Fan less design, natural air cooling

**NEW**

**Models & Parameters**

Model Number	Voltage (V)	Current (A)	Rated Power	Ripple & Noise (max)(*2)	Voltage Tolerance	Line & Load Regulation	Efficiency (Average)	Start Up Delay
UE12-120100SPA1-OP	12.0	1.00	12.00W	200mVpk-pk	$\pm 5\%$	Line: $\pm 5\%$ Load: $\pm 5\%$	82.96%	$\leq 3\text{s}$

**Mechanical Details**


Unit: mm

**Input**

Input Voltage Range	90-264VAC
Frequency Range	47-63Hz
Input Current	0.5A Max at 90VAC
Inrush Current	80A max at 240VAC cold start
Touch Leakage Current <sup>(max)</sup>	≤100µA at 264VAC

**Environmental**

Operating Temperature	-10°C to 40°C
Storage Temperature	-40°C to 85°C
Operating Humidity	20% to 90% RH, non-condensing
Storage Humidity	10% to 95% RH
Operating Altitude	5,000m

**General**

Dimensions	65(L) 50(W) 22(H)mm
Weight	37g
MTBF	>100,000hrs MIL-HDBK-217 at 25°C

**Protection**

Overload	110-200% rated output power, auto recovery
Over Voltage	110-150% rated output voltage input to reset
Short Circuit	Trip and restart (hiccup mode)

**Safety Approvals**

Safety Agency / Mark	Medical	ITE
-	-	--

**EMC**

Emission	Medical	ITE
Conduction	IEC/EN60601-1-2, CISPR 11	EN55032, CISPR 32
Radiation	IEC/EN60601-1-2, CISPR 11	EN55032, CISPR 32
Harmonic Currents	EN61000-3-2, Class A	EN61000-3-2, Class A
Voltage Flicker	EN61000-3-3	EN61000-3-3
Immunity	IEC/EN60601-1-2	En55035, CISPR 35
ESD	IEC61000-4-2	±15KV air, ±8KV contact
Radiated Immunity	IEC61000-4-3	10V/m, 3V/m 80MHz - 2.7GMHz
EFT/Burst	IEC61000-4-4	±2KV on AC port, ±1KV on signal ports
Surge	IEC61000-4-5	±2KV line to line (different mode)
Conducted Immunity	IEC61000-4-6	3Vrms, 6Vrms (0.15MHz-80MHz)
Magnetic Field	IEC61000-4-8	30 A/m
Dips & Interruptions	IEC61000-4-11	0%, 70%, 0% of UT

**Others**

Dielectric Withstand Voltage	5,656VDC input to output
Insulation Resistance	10M Ohms, 500VDC input to output