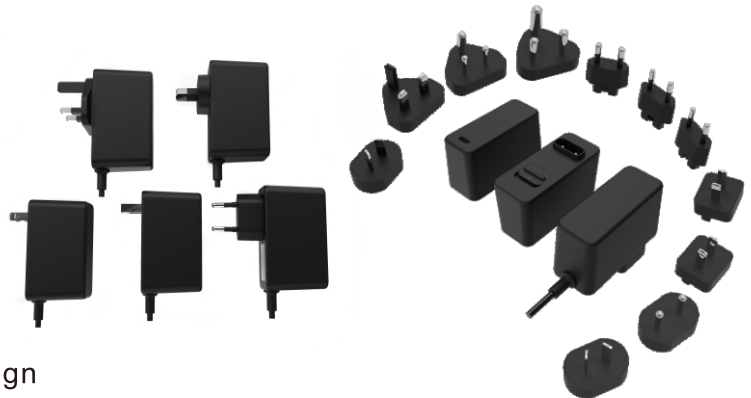


IP22 Class II (VI)

**Product Features**

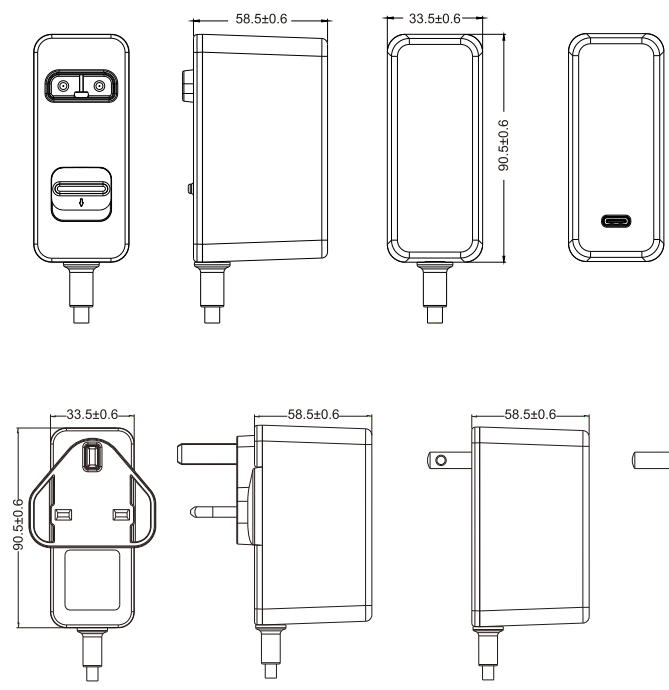
- Meet medical & I.T.E. safety approvals
- 2 MOPP input to output isolation
- Leakage current  $\leq 100\mu\text{A}$
- Energy efficiency level VI
- $\leq 0.21\text{W}$  standby power
- 5V/9V/12V/15V/20V outputs, up to 65W
- Up to 5,000m operating altitude
- Optional fixed plug / interchangeable plug design
- USB port / fixed cable design
- Meet USB PD3.0&QC3.0&QC2.0 fast charge agreement


**Models & Parameters**

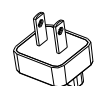
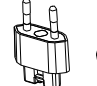
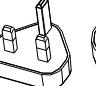
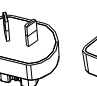
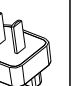
Model Number	Voltage <sup>(1)</sup> (V)	Current (A)	Rated Power	Ripple & Noise (max)	Voltage Tolerance	Line & Load Regulation	Efficiency (Average)	Start Up Delay
UES65LZ2-SPC	5.0	0.01-3.00	15.00W	200mVpk-pk	$\pm 5\%$	Line: $\pm 1\%$ Load: $\pm 5\%$	82.0%	$\leq 3\text{s}$
	9.0	0.01-3.00	27.00W	200mVpk-pk	$\pm 5\%$		86.8%	$\leq 3\text{s}$
	12.0	0.01-3.00	36.00W	200mVpk-pk	$\pm 5\%$		87.5%	$\leq 3\text{s}$
	15.0	0.01-3.00	45.00W	200mVpk-pk	$\pm 5\%$		88.0%	$\leq 3\text{s}$
	20.0	0.01-3.25	65.00W	200mVpk-pk	$\pm 5\%$		88.0%	$\leq 3\text{s}$

Model encoding: replace "Z" with "CP" for interchangeable plug with wire, "CPU" for interchangeable plug with USB, "B,C,V,U" for fixed plug with wire, "BU,CU,VU,UU" for fixed plug with USB

**Mechanical Details**



**Interchangeable AC Plug Options<sup>(2)</sup>**

US/Japan
Europe
UK
Australia
China

Unit: mm

**Notes**

(\*1, 2) Other options are available, please contact our sales representative for details.

**Input**

Input Voltage Range	80-264VAC
Frequency Range	47-63Hz
Input Current	2A at 80VAC
Inrush Current	100A max at 240VAC cold start
Touch Leakage Current <sup>(max)</sup>	≤ 100μA at 264VAC

**Environmental**

Operating Temperature	0°C to 40°C
Storage Temperature	-40°C to 80°C
Operating Humidity	10% to 90% RH, non-condensing
Storage Humidity	5% to 90% RH
Operating Altitude	5,000m

**General**

Dimensions	90.5(L) 33.5(W) 58.5(H)mm
Weight	220g
MTBF	>100,000hrs MIL-HK8K-217 at 25°C

**Protection**

Overload	105-140% rated output power, auto recovery
Over Voltage	110-130% rated output voltage input to reset
Short Circuit	Trip and restart (hiccup mode)

**Safety Approvals**

Safety Agency / Mark	Medical(meet)	ITE(meet)
CB	IEC60601-1,IEC60601-1-11	IEC62368-1
UL	ANSI/AAMI ES60601-1,ES60601-1-11	UL62368-1
TUV-SUD/Mark	CAN/CSA-C22.2 NO. 60601-1-11	-
TUV-SUD/GS	EN60601-1,EN60601-1-11	EN62368-1
CCC	-	GB4943.1
PSE	-	J62368-1
RCM	-	AS/NZS62368.1
CE	-	EN62368-1
FCC	-	FCC PART 15
BSMI	-	CNS14336-1
NOM	-	NOM-001-SCFI-2018

**EMC**

Emission	Medical	ITE
Conduction	IEC/EN60601-1-2,CISPR 11	EN55032,CISPR 32
Radiation	IEC/EN60601-1-2,CISPR 11	EN55032,CISPR 32
Harmonic Currents	EN61000-3-2, Class A	EN61000-3-2, Class A
Voltage Flicker	EN61000-3-3	EN61000-3-3
Immunity	IEC/EN60601-1-2	EN55035, CISPR 35
ESD	IEC61000-4-2	±15KV air, ±8KV contact
Radiated Immunity	IEC61000-4-3	10V/m ,3V/m 80MHz - 2.7GMHz
EFT/Burst	IEC61000-4-4	±2KV on AC port, ±1KV on signal ports
Surge	IEC61000-4-5	±1KV line to line ,±2KV line to GND
Conducted Immunity	IEC61000-4-6	3Vrms, 6Vrms (0.15MHz-80MHz)
Magnetic Field	IEC61000-4-8	30 A/m
Dips & Interruptions	IEC61000-4-11	0%, 70%, 0% of UT

**Others**

Dielectric Withstand Voltage	4000VAC input to output
Insulation Resistance	10M Ohms, 500VDC input to output