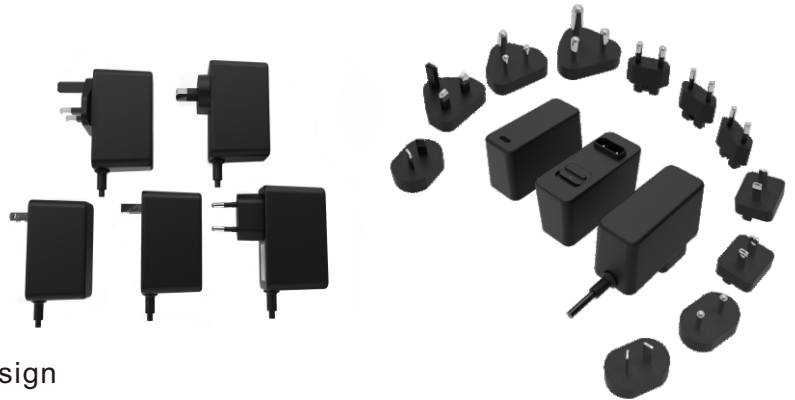




IP22 Class II (VI)

**Product Features**

- Meet medical & I.T.E. safety approvals
- 2 MOPP input to output isolation
- Leakage current  $\leq 100\mu\text{A}$
- Energy efficiency level VI
- $\leq 0.1\text{W}$  standby power
- 5V/9V/12V/15V/20V outputs, up to 33W
- Up to 5,000m operating altitude
- Optional fixed plug / interchangeable plug design
- USB port / fixed cable design
- Meet USB PD3.0&QC3.0&QC2.0 fast charge agreement


**Models & Parameters**

Model Number	Voltage <sup>(1)</sup> (V)	Current (A)	Rated Power	Ripple & Noise (max)	Voltage Tolerance	Line & Load Regulation	Efficiency (Average)	Start Up Delay
UES33LZ-SPC	5.0	0.01-3.00	15.00W	200mVpk-pk	$\pm 5\%$	Line: $\pm 1\%$ Load: $\pm 5\%$	81.39%	$\leq 3\text{s}$
	9.0	0.01-3.00	27.00W	200mVpk-pk	$\pm 5\%$		86.62%	$\leq 3\text{s}$
	12.0	0.01-2.50	30.00W	200mVpk-pk	$\pm 5\%$		86.95%	$\leq 3\text{s}$
	15.0	0.01-2.20	33.00W	200mVpk-pk	$\pm 5\%$		87.20%	$\leq 3\text{s}$
	20.0	0.01-1.65	33.00W	200mVpk-pk	$\pm 5\%$		87.20%	$\leq 3\text{s}$

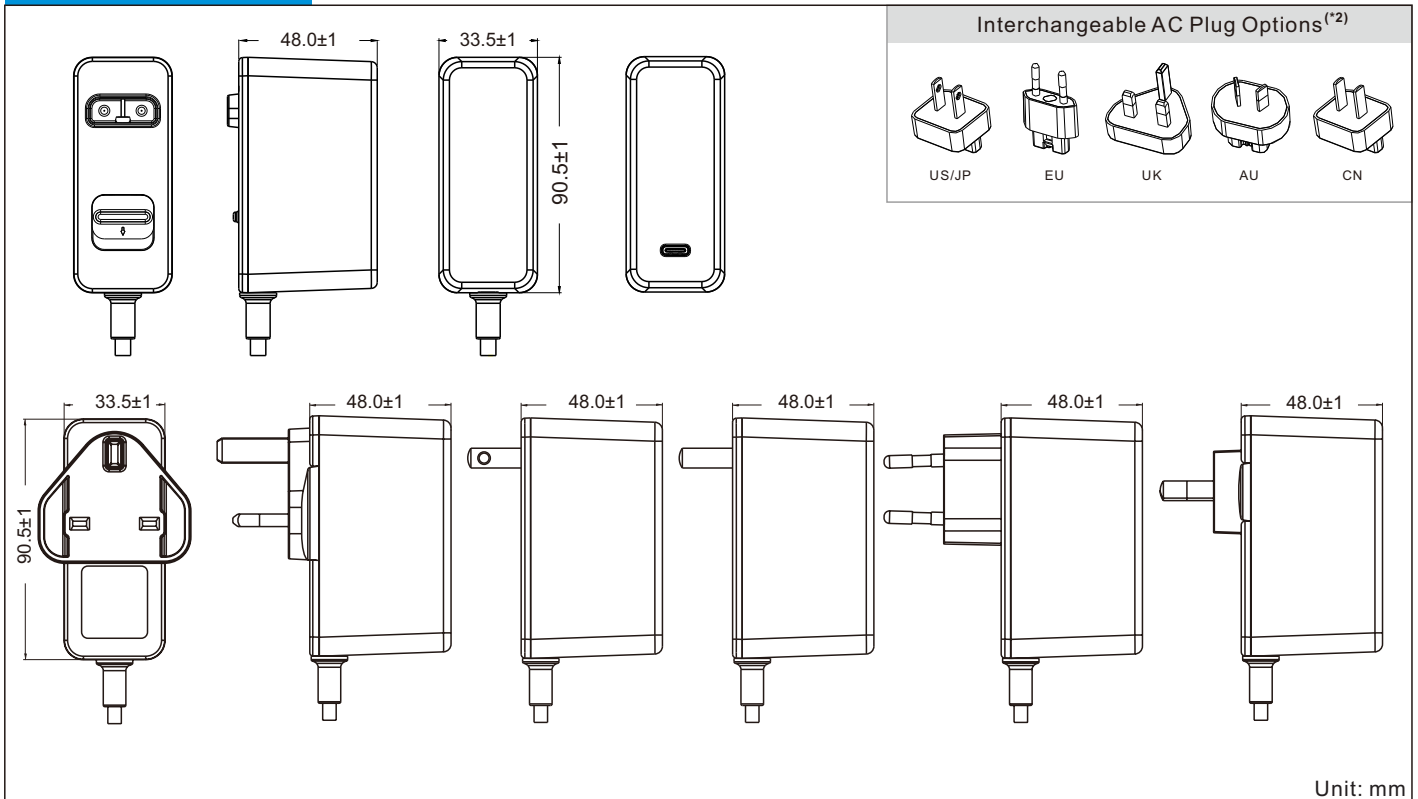
Model encoding:

Replace "Z" with "B" for fixed UK AC plug and fixed DC cable

Replace "Z" with "BU" for fixed UK AC plug and USB

Replace "Z" with "CP" for changeable AC plug and fixed DC cable

Replace "Z" with "CPU" for changeable AC plug and USB

**Mechanical Details**


Notes

(\*1, 2) Other options are available, please contact our sales representative for details.

**Input**

Input Voltage Range	80-264VAC
Frequency Range	47-63Hz
Input Current	0.9A at 80VAC
Inrush Current	100A max at 240VAC cold start
Touch Leakage Current <sup>(max)</sup>	≤ 100μA at 264VAC

**Environmental**

Operating Temperature	0°C to 40°C
Storage Temperature	-40°C to 80°C
Operating Humidity	10% to 90% RH, non-condensing
Storage Humidity	5% to 90% RH
Operating Altitude	5,000m

**General**

Dimensions	90.5(L) 33.5(W) 48.0(H)mm
Weight	160g
MTBF	>60,000hrs MIL-HK8K-217 at 25°C

**Protection**

Overload	105-140% rated output power, auto recovery
Over Voltage	110-130% rated output voltage input to reset
Short Circuit	Trip and restart (hiccup mode)

**Safety Approvals**

Safety Agency / Mark	Medical	ITE
CB	IEC60601-1, IEC60601-1-11	IEC62368-1
TÜV-SUD/Mark	EN60601-1, EN60601-1-11	-
CE		EN62368-1
FCC		PART 15

**EMC**

Emission	Medical	ITE
Conduction	IEC/EN60601-1-2, CISPR 11	EN55032, CISPR 32
Radiation	IEC/EN60601-1-2, CISPR 11	EN55032, CISPR 32
Harmonic Currents	EN61000-3-2, Class A	EN61000-3-2, Class A
Voltage Flicker	EN61000-3-3	EN61000-3-3
Immunity	IEC/EN60601-1-2	EN55035, CISPR 35
ESD	IEC61000-4-2	±15KV air, ±8KV contact
Radiated Immunity	IEC61000-4-3	10V/m, 3V/m 80MHz - 2.7GHz
EFT/Burst	IEC61000-4-4	±2KV on AC port, ±1KV on signal ports
Surge	IEC61000-4-5	±2.5KV line to line, ±4KV line to GND
Conducted Immunity	IEC61000-4-6	3Vrms, 6Vrms (0.15MHz-80MHz)
Magnetic Field	IEC61000-4-8	30 A/m
Dips & Interruptions	IEC61000-4-11	0%, 70%, 0% of UT

**Others**

Dielectric Withstand Voltage	4000VAC input to output
Insulation Resistance	10M Ohms, 500VDC input to output